

DIMENSIONS ARE APPROXIMATE
 OVERALL HEIGHT = 112"
 OVERALL WIDTH WITH RUB
 RAILS & FENDERETTES = 98"

HOSELINE TMC-2007 DUAL INLINE AC CONDENSER.
 CHASSIS TO HAVE SECOND
 ENGINE-DRIVEN AC COMPRESSOR

(7) WHELEN M9 SUPER LED WARNING LIGHTS
 R/R/R/W/R/R/R-CLEAR LENSES

(5) TECNIQ S330 AMBER
 MINI-LED MARKER LIGHTS

PRE-WIRE TURN
 SIGNAL

PRE-WIRE OPTICOM

LOCKING, SLIDING WINDOW

OEM POWER
 ADJUSTABLE
 MIRRORS

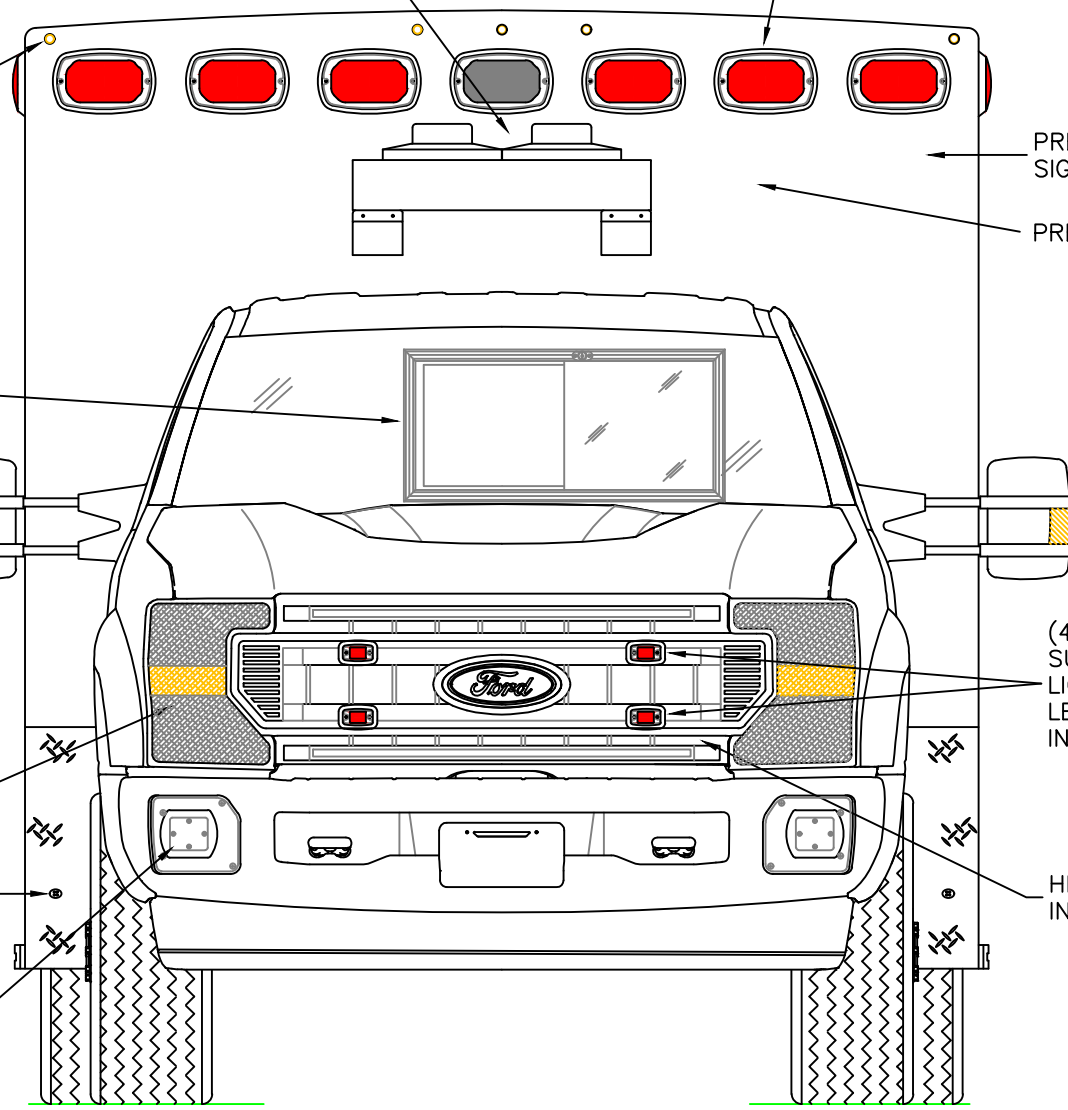
(4) WHELEN M2 RED
 SUPER LED GRILLE
 LIGHTS WITH CLEAR
 LENSES TO FLASH
 IN X PATTERN

FLASHING HEADLIGHTS W/
 DAYTIME RUNNING LIGHTS

MINI-LED RUNNING
 BOARD LIGHTS

HIDDEN UNLOCK SWITCH
 IN GRILLE AREA

CAST PRODUCTS SIREN
 SPEAKERS IN THE BUMPER



THIS DRAWING IS FOR REPRESENTATIONAL PURPOSES ONLY. DETAILS ARE CONCEPTUAL AND ARE SUBJECT TO CHANGE DURING DESIGN AND CONSTRUCTION
 DIMENSIONS ARE APPROXIMATE UNLESS NOTED OTHERWISE TO MEET A SPECIFIC CUSTOMER NEED.

BRAUN STOCK



FRONT EXTERIOR VIEW
 CHIEF XL-1/F550 4X4-DIESEL CHASSIS

DATE:	3-2-23	DRAWING NO.	CPQ#8177
DWG.	TKD	REV.	NR
DATE:			B STOCK-1

APPROVAL SIGNATURE:

DIMENSIONS ARE APPROXIMATE
 OVERALL HEIGHT = 112"
 OVERALL WIDTH WITH RUB
 RAILS & FENDERETTES = 98"

(5) TECNIQ S330 RED
 MINI-LED MARKER LIGHTS

LED LICENSE
 PLATE LIGHT

WHELEN M9 AMBER SUPER LED WITH CLEAR LENS

(2) WHELEN M9 WHITE SUPER LED LOAD LIGHTS

(2) WHELEN M9 RED SUPER
 LED WITH CLEAR LENSES

REAR VIEW CAMERA

(2) WHELEN M9 RED SUPER
 LED WITH CLEAR LENSES

WHELEN M6 LED TAIL LIGHTS IN

M6 RED BRAKE/TAIL
 M6 AMBER TURN
 M6 WHITE BACK-UP

INDEPENDENT BUMPER WITH
 NON-SKID FLIP-UP CENTER
 STEP AND COT PROTECTOR
 ON STEP EDGE. TOW HOOKS
 LOCATED BELOW STEP/BUMPER.

THIS DRAWING IS FOR REPRESENTATIONAL PURPOSES ONLY. DETAILS ARE CONCEPTUAL AND ARE SUBJECT TO CHANGE DURING DESIGN AND CONSTRUCTION
 DIMENSIONS ARE APPROXIMATE UNLESS NOTED OTHERWISE TO MEET A SPECIFIC CUSTOMER NEED.

BRAUN STOCK

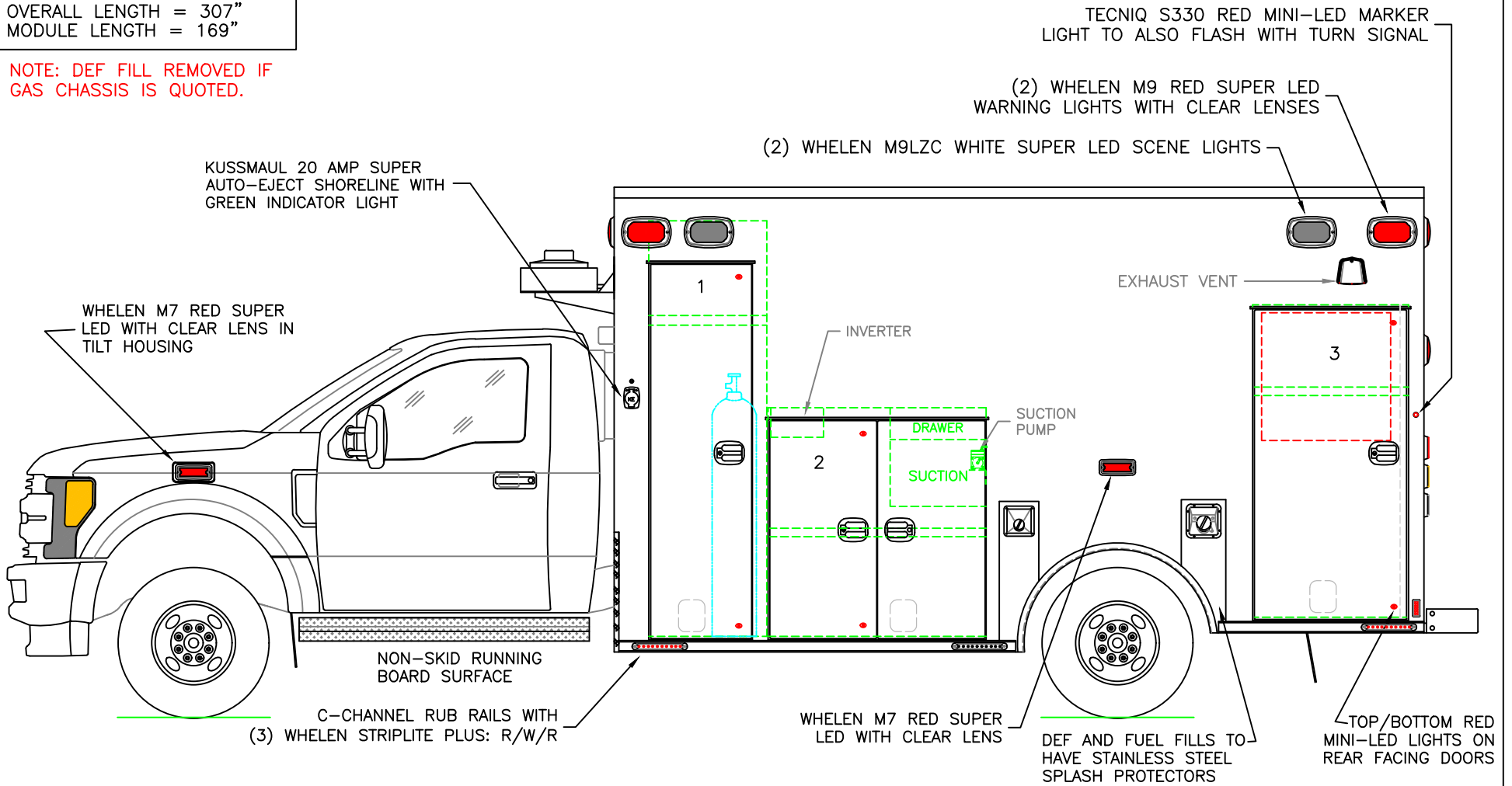


REAR EXTERIOR VIEW
 CHIEF XL-1/F550 4X4-DIESEL CHASSIS

DATE: 3-2-23	DRAWING NO. CPQ#8177
DWG. TKD	REV. NR B-STOCK-2

DIMENSIONS ARE APPROXIMATE
 OVERALL HEIGHT = 112"
 OVERALL LENGTH = 307"
 MODULE LENGTH = 169"

NOTE: DEF FILL REMOVED IF
 GAS CHASSIS IS QUOTED.



COMPARTMENT
 O.S.S #1

CLEAR OPENING: 77.00h x 18.25w
 INSIDE DIM'S.: 86.75h x 24.50w x 20.75d
 MAIN OXYGEN STORAGE
 (1) ADJUSTABLE SHELF

O.S.S #2

CLEAR OPENING: 44.25h x 39.50w
 INSIDE DIM'S.: 47.75h x 45.50w x 20.75d
 (1) ADJUSTABLE SHELF

O.S.S #3

CLEAR OPENING: 63.50h x 28.75w
 INSIDE DIM'S.: 65.25h x 32.50w x 20.75d
 INSIDE/OUTSIDE ACCESS
 (1) ADJUSTABLE SHELF

THIS DRAWING IS FOR REPRESENTATIONAL PURPOSES ONLY. DETAILS ARE CONCEPTUAL AND ARE SUBJECT TO CHANGE DURING DESIGN AND CONSTRUCTION
 DIMENSIONS ARE APPROXIMATE UNLESS NOTED OTHERWISE TO MEET A SPECIFIC CUSTOMER NEED.

BRAUN STOCK

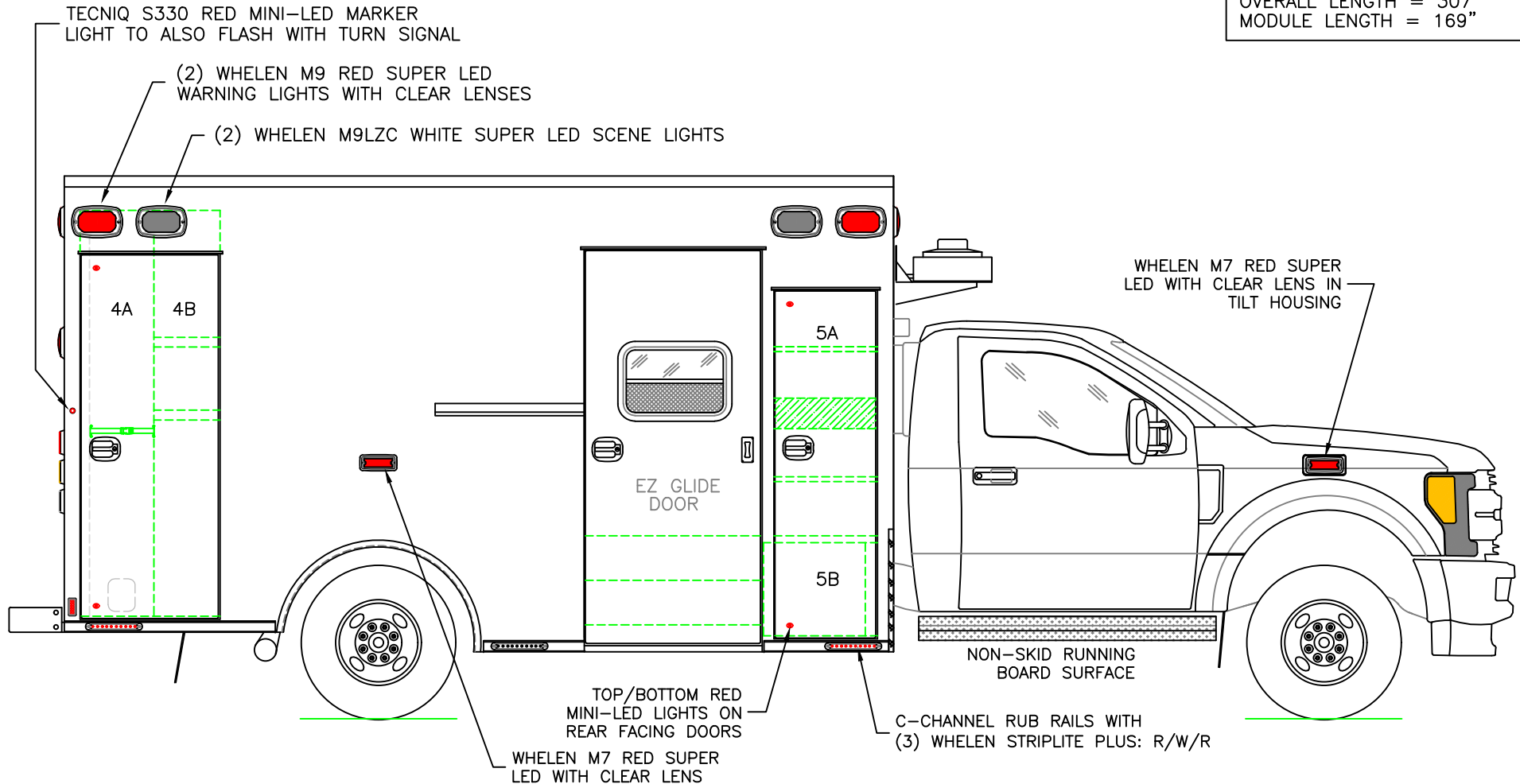


STREETSIDE EXTERIOR VIEW
 CHIEF XL-1/F550 4X4-DIESEL CHASSIS

DATE:	3-2-23
DWG.:	TKD
REV.:	NR

DRAWING NO.	CPQ#8177
	B STOCK-3

DIMENSIONS ARE APPROXIMATE
 OVERALL HEIGHT = 112"
 OVERALL LENGTH = 307"
 MODULE LENGTH = 169"



COMPARTMENT
 O.S.S #4
 CLEAR OPENING: 73.00h x 24.75w
 INSIDE DIM'S. 4A: 82.75h x 15.00w x 20.75d
 BACKBOARD/SCOOP STORAGE
 INSIDE DIM'S. 4B: 82.75h x 13.50w x 20.75d
 (2) ADJUSTABLE SHELVES WITH INSIDE/OUTSIDE ACCESS

O.S.S #5
 CLEAR OPENING: 69.50h x 17.50w
 INSIDE DIM'S. 5A: SEE PARTITION INTERIOR VIEW
 INSIDE/OUTSIDE STORAGE WITH (2) ADJUSTABLE SHELVES
 INSIDE DIM'S. 5B: 19.00h x 20.75w x 18.00d

THIS DRAWING IS FOR REPRESENTATIONAL PURPOSES ONLY. DETAILS ARE CONCEPTUAL AND ARE SUBJECT TO CHANGE DURING DESIGN AND CONSTRUCTION
 DIMENSIONS ARE APPROXIMATE UNLESS NOTED OTHERWISE TO MEET A SPECIFIC CUSTOMER NEED.

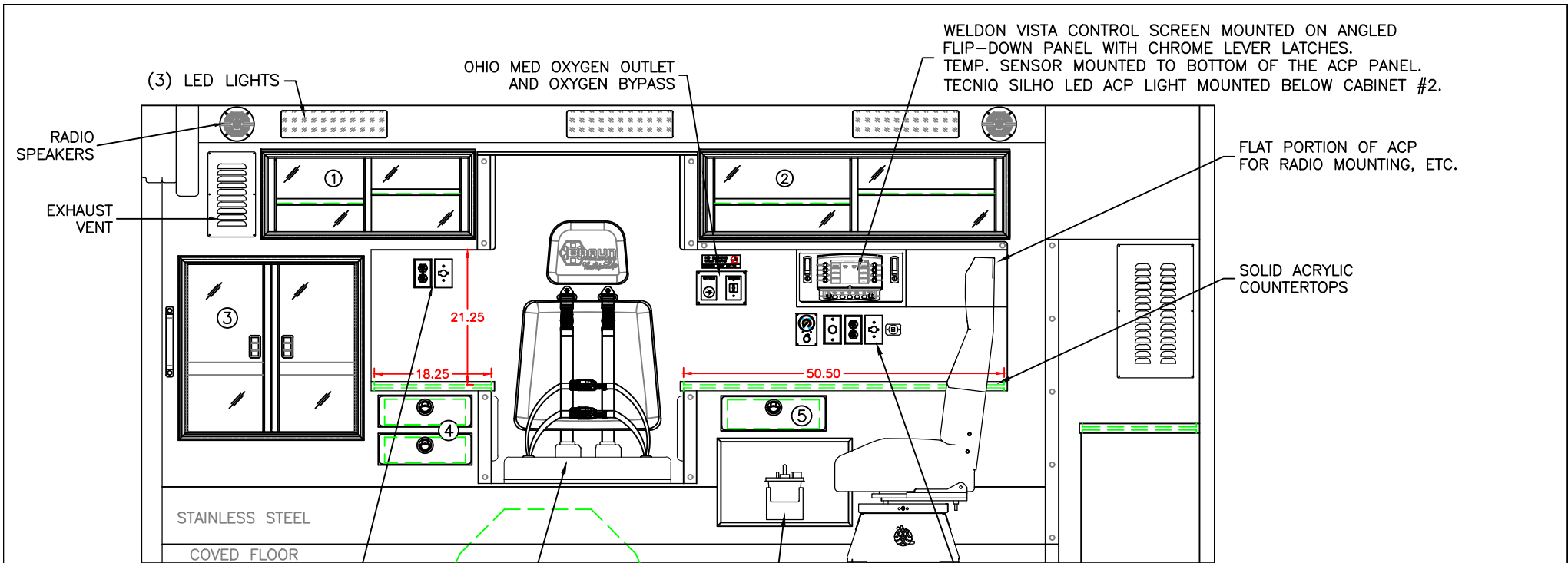
BRAUN STOCK



CURBSIDE EXTERIOR VIEW
 CHIEF XL-1/F550 4X4-DIESEL CHASSIS

DATE:	3-2-23	
DWG.:	TKD	REV. NR

DRAWING NO.	CPQ#8177
B STOCK-4	



COMPARTMENT

#1 DOOR OPENING: 11.50h x 31.50w
 INSIDE DIMS: 13.25h x 33.00w x 17.25d
 (1) ADJ SHELF EACH SIDE OF CENTER DIVIDER
 RESTOCKING-SLIDING POLYCARBONATE DOORS
 TOTAL CABINET WEIGHT RATING = 25 lbs.

#2 DOOR OPENING: 11.50h x 46.50w
 INSIDE DIMS: 13.25h x 48.00w x 17.25d
 (1) ADJ SHELF EACH SIDE OF CENTER DIVIDER
 RESTOCKING-SLIDING POLYCARBONATE DOORS
 TOTAL CABINET WEIGHT RATING = 25 lbs.

#3 DOOR OPENING: 26.50h x 26.75w
 INSIDE DIMS: O.S.S. #3
 HINGED POLYCARBONATE DOORS WITH FULL LENGTH
 HANDLES AND CENTER SQUEEZE LATCHES
 TOTAL CABINET WEIGHT RATING = 40 lbs.

#4 (2) PULL-OUT DRAWERS TOWARDS AISLE
 INSIDE DIMS: 4.50h x 12.75w x 12.75d
 LOCKING STAINLESS STEEL FLUSH PULL LATCHES.
 TOTAL DRAWER WEIGHT RATING = 10 lbs. EACH

#5 PULL-OUT DRAWER WITH HINGED ACRYLIC WRITING SURFACE
 INSIDE DIMS: 4.50h x 14.50w x 13.25d
 LOCKING STAINLESS STEEL FLUSH PULL LATCH
 TOTAL DRAWER WEIGHT RATING = 10 lbs.

CABINET FRAME RESTOCKING #1 & #2
 CABINETS WITH INVENTORY CONTROL SYSTEM

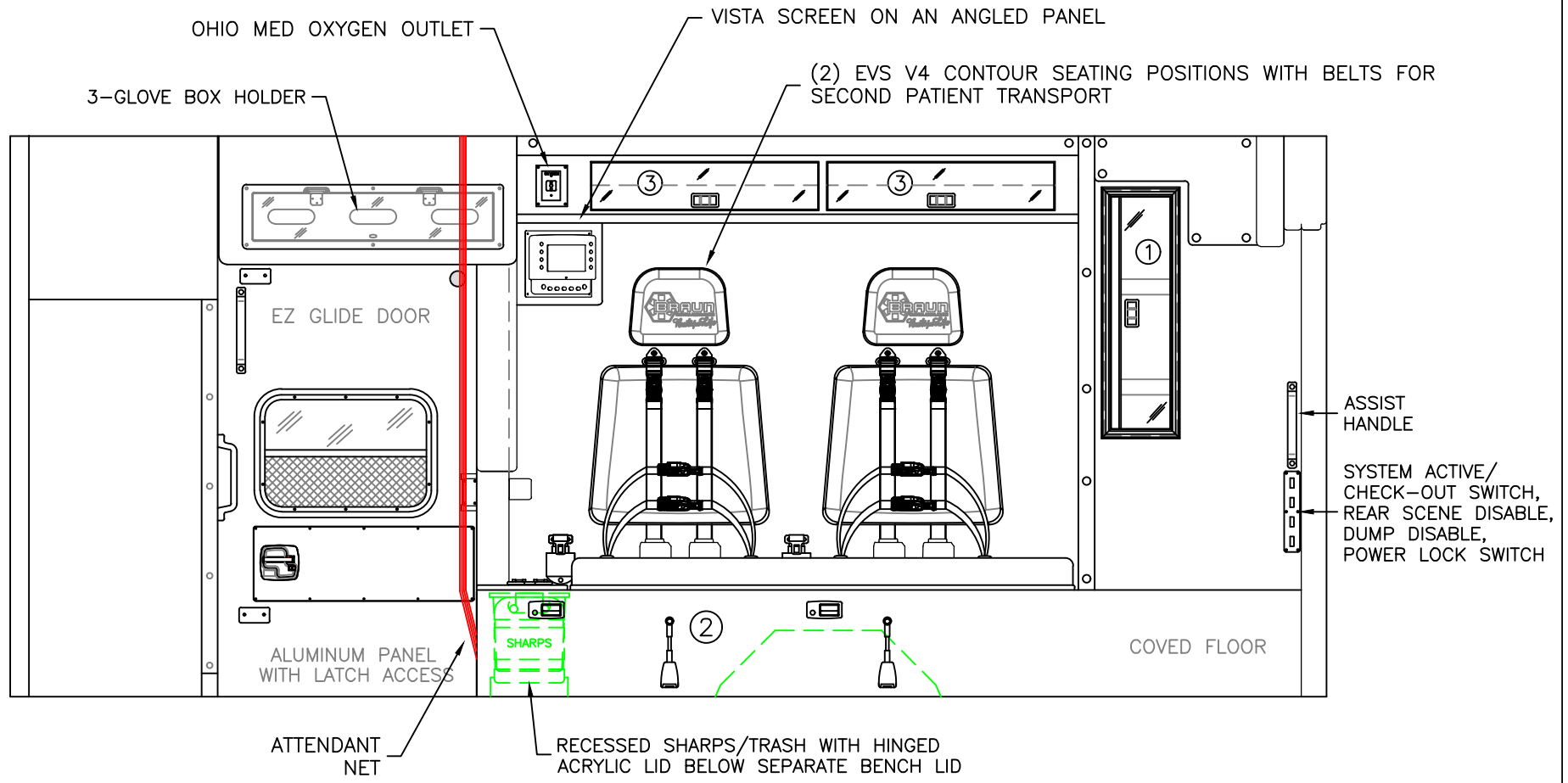
THIS DRAWING IS FOR REPRESENTATIONAL PURPOSES ONLY. DETAILS ARE CONCEPTUAL AND ARE SUBJECT TO CHANGE DURING DESIGN AND CONSTRUCTION
 DIMENSIONS ARE APPROXIMATE UNLESS NOTED OTHERWISE TO MEET A SPECIFIC CUSTOMER NEED.

BRAUN STOCK



STREETSIDE INTERIOR VIEW
 CHIEF XL-1

DATE:	3-2-23	DRAWING NO.	CPQ#8177
DWG.	TKD	REV.	NR
			B STOCK-5



COMPARTMENT

#1 DOOR OPENING: 30.00h x 7.25w
 INSIDE/OUTSIDE ACCESS TO OSS #4B
 HINGED POLYCARBONATE DOOR WITH FULL LENGTH
 HANDLE AND CENTER SQUEEZE LATCH
 TOTAL CABINET WEIGHT RATING = 25 lbs.
 #2 INSIDE DIM'S: 14.25h x 77.00w x 21.00d

#3 DOOR OPENINGS: 6.25h x 29.25w
 INSIDE DIMS: 6.25h x 29.25w x 10.25d
 TOP HINGED POLYCARBONATE DOORS WITH
 CENTER SQUEEZE LATCHES
 43" MINIMUM HEADROOM BELOW THE CABINET
 CABINETS DO NOT HAVE WEIGHT RATING

CABINETS WITH INVENTORY CONTROL SYSTEM

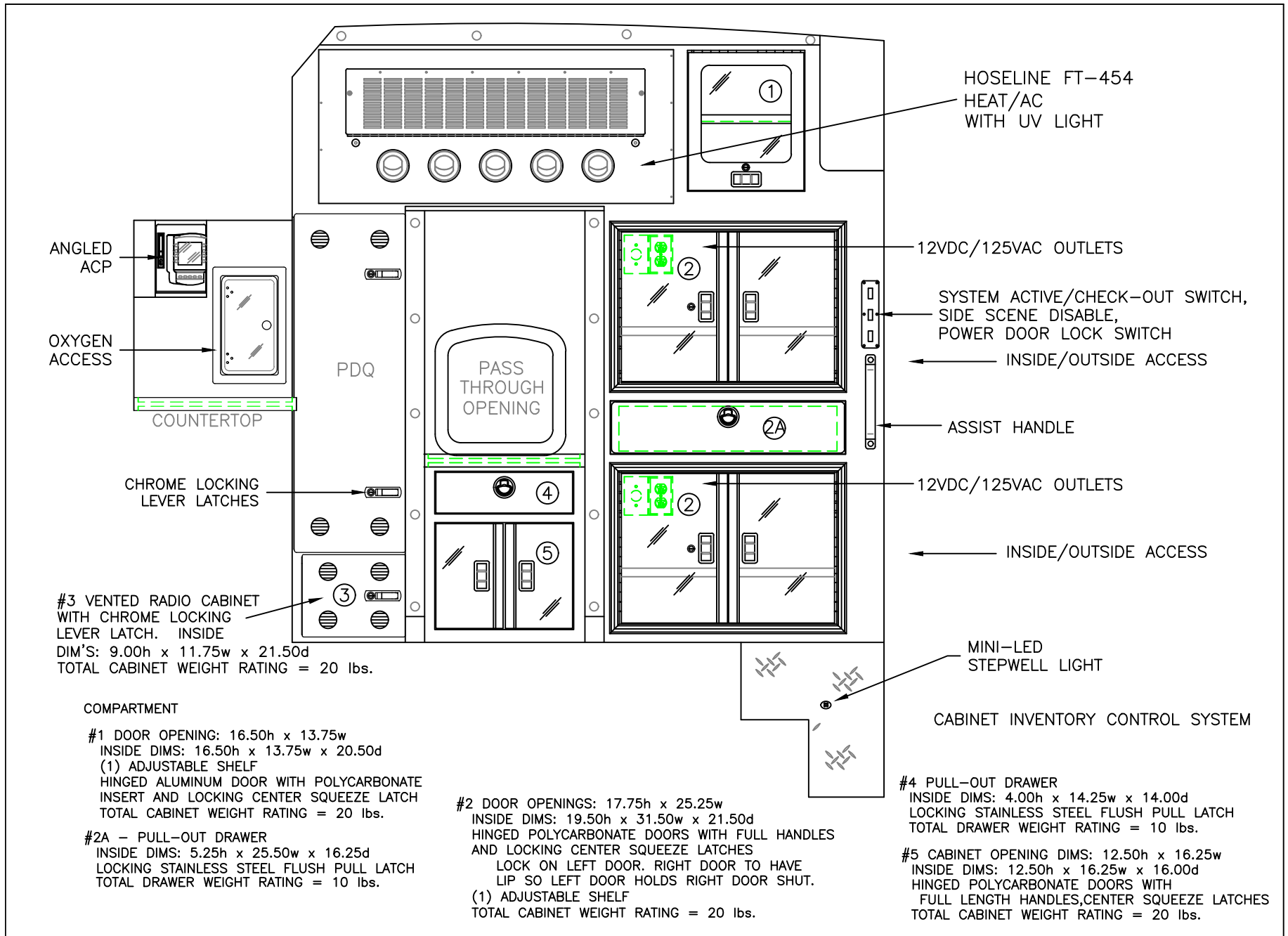
THIS DRAWING IS FOR REPRESENTATIONAL PURPOSES ONLY. DETAILS ARE CONCEPTUAL AND ARE SUBJECT TO CHANGE DURING DESIGN AND CONSTRUCTION
 DIMENSIONS ARE APPROXIMATE UNLESS NOTED OTHERWISE TO MEET A SPECIFIC CUSTOMER NEED.

BRAUN STOCK



CURBSIDE INTERIOR VIEW
 CHIEF XL-I

DATE:	3-2-23	DRAWING NO.	CPQ#8177
DWG.	TKD	REV.	NR
			B STOCK-6



THIS DRAWING IS FOR REPRESENTATIONAL PURPOSES ONLY. DETAILS ARE CONCEPTUAL AND ARE SUBJECT TO CHANGE DURING DESIGN AND CONSTRUCTION
DIMENSIONS ARE APPROXIMATE UNLESS NOTED OTHERWISE TO MEET A SPECIFIC CUSTOMER NEED.

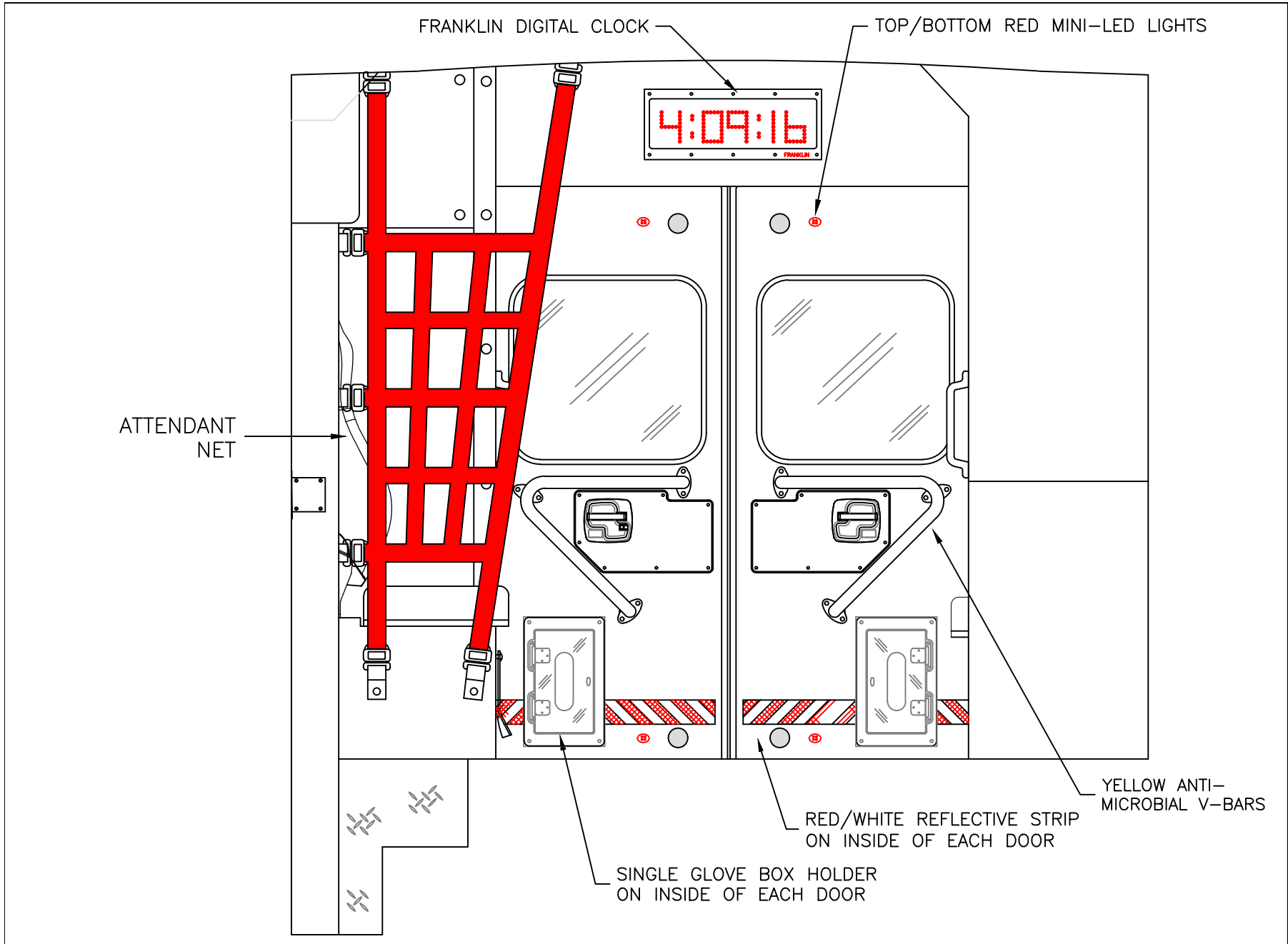
BRAUN STOCK



PARTITION INTERIOR VIEW
CHIEF XL-1

DATE:	3-2-23
DWG:	TKD
REV:	NR

DRAWING NO.	CPQ#8177
	B STOCK-7



THIS DRAWING IS FOR REPRESENTATIONAL PURPOSES ONLY. DETAILS ARE CONCEPTUAL AND ARE SUBJECT TO CHANGE DURING DESIGN AND CONSTRUCTION DIMENSIONS ARE APPROXIMATE UNLESS NOTED OTHERWISE TO MEET A SPECIFIC CUSTOMER NEED.

BRAUN STOCK



REAR INTERIOR VIEW
CHIEF XL-1

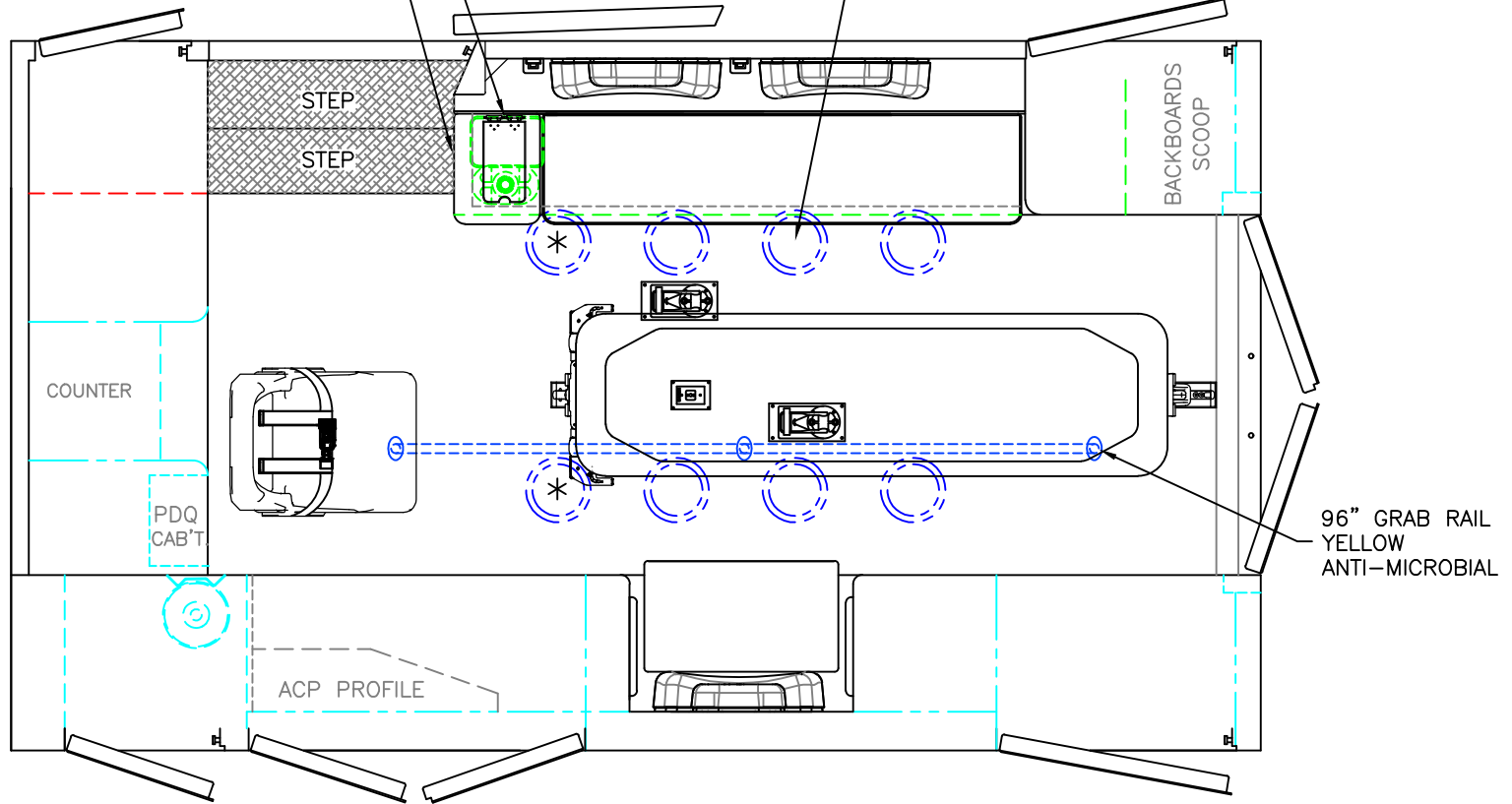
DATE:
3-2-23
DWG. TKD

DRAWING NO.
CPQ#8177
REV. NR
B STOCK-8

RECESSED SHARPS/TRASH WITH HINGED
ACRYLIC LID BELOW SEPARATE BENCH LID

ATTENDANT NET

(8) LED
DOME LIGHTS



BACKBOARDS
SCOOP

COUNTER

PDQ
CAB'T

ACP PROFILE

96" GRAB RAIL
YELLOW
ANTI-MICROBIAL

 = (2) RECESSED CEILING IV HANGER LOCATIONS

 = (1) CEILING OXYGEN OUTLET

* (2) ANTENNA BASES LOCATED OUTBOARD OF
DOME LIGHTS WITH COAX SERVICE LOOP

STRYKER FLOOR PLATE AND 12V PRE WIRE FOR CUSTOMER FUTURE
INSTALL OF A POWER OR PERFORMANCE COT LOAD SYSTEM
COT SHOWN FOR REFERENCE ONLY

MODULE WIDTH = 96"
MODULE LENGTH = 169"
MODULE HEAD ROOM = 72"

THIS DRAWING IS FOR REPRESENTATIONAL PURPOSES ONLY. DETAILS ARE CONCEPTUAL AND ARE SUBJECT TO CHANGE DURING DESIGN AND CONSTRUCTION
DIMENSIONS ARE APPROXIMATE UNLESS NOTED OTHERWISE TO MEET A SPECIFIC CUSTOMER NEED.

BRAUN STOCK



FLOOR INTERIOR VIEW
CHIEF XL-1

DATE:
3-2-23
DWG:
TKD

DRAWING NO.
CPQ#8177
REV:
NR
B STOCK-9