

Dealer: MEDIX

Approved By:

Date:

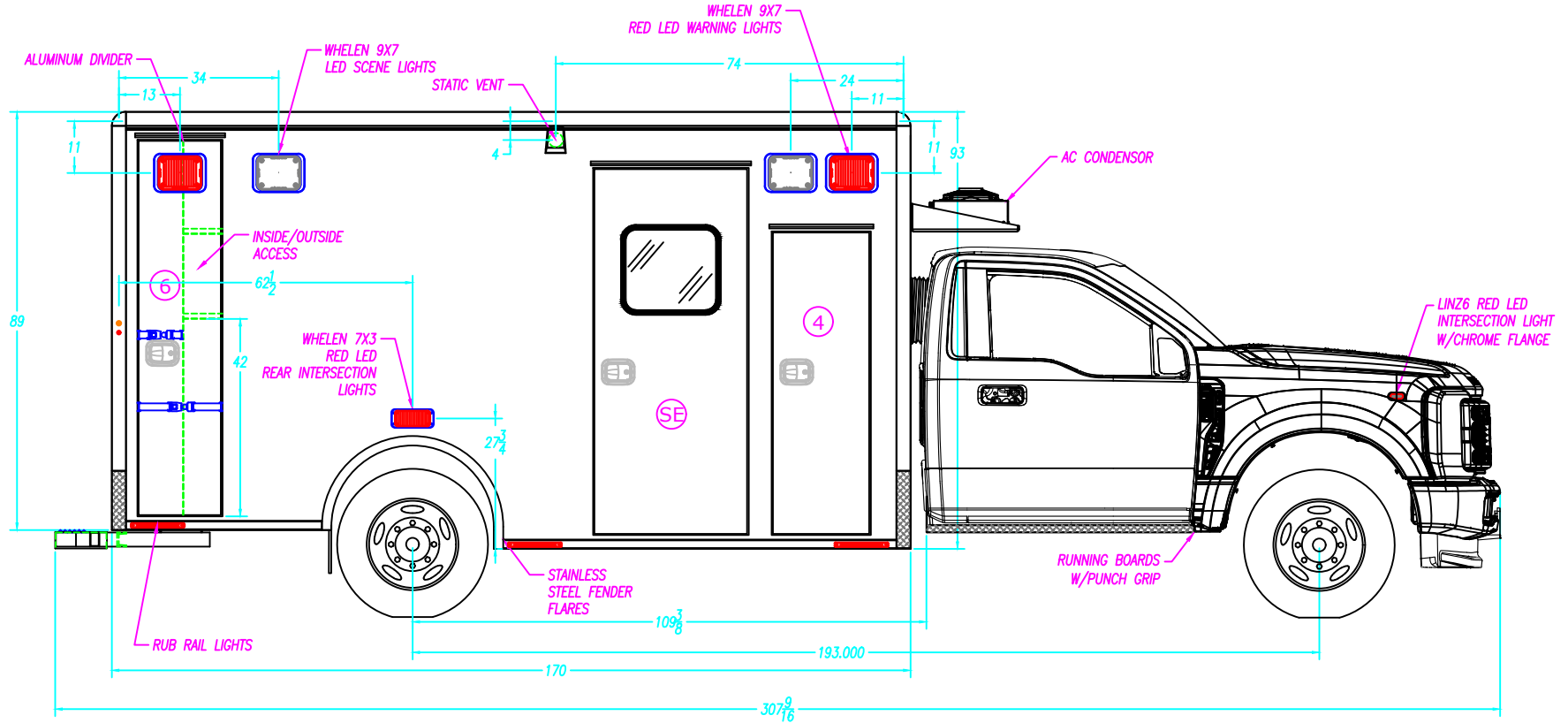
Customer:

DEMO

23-M1313-14

Sheet  
**A**

ALL WARNING, SCENE, AND TAIL LIGHTS TO HAVE CHROME BEZELS.  
ALL COMPARTMENT/ENTRY DOORS TO HAVE POWER LOCKS  
WIRE TO OEM



**COMPARTMENT SIZES**

NOTE: THE DIMENSIONS BELOW ARE INSIDE TUB DIMENSIONS

| NO. | COMPARTMENT TYPE       | WIDTH   | HEIGHT  | DEPTH   |
|-----|------------------------|---------|---------|---------|
| 4   | ALS COMPARTMENT        | ---     | ---     | ---     |
| 5   | BATTERY COMPARTMENT    | 20 1/2" | 18 1/2" | 23 7/8" |
| 6   | BACK BOARD COMPARTMENT | 20"     | 79 1/2" | 22"     |
| -   | -                      | -       | -       | -       |

**COMPARTMENT & ENTRY DOORS**

| NO. | PART NUMBER | NO. | PART NUMBER |
|-----|-------------|-----|-------------|
| 4   | 33-A11398   | 6   | 33-A10784   |
| SE  | 78-116138   | -   | -           |
| -   | ---         | -   | ---         |

**COMPARTMENT TUBS**

| NO. | PART NUMBER | NO. | PART NUMBER |
|-----|-------------|-----|-------------|
| 4   | 33-102298   | -   | ---         |
| SE  | 33-102648   | -   | ---         |
| 6   | 33-103025   | -   | ---         |

**COMPARTMENT / ENTRY DOOR SIZES**

| NO. | COMPARTMENT / ENTRY DOOR TYPE | WIDTH   | HEIGHT   |
|-----|-------------------------------|---------|----------|
| 4   | ALS DOOR                      | 20 1/2" | 64 1/16" |
| 5   | BATTERY STORAGE DOOR          | ---     | ---      |
| SE  | SIDE ENTRY DOOR               | 32 1/2" | 77 3/16" |
| 6   | BACK BOARD STORAGE DOOR       | 17 1/2" | 79 3/16" |
| -   | -                             | -       | -        |

M2 170" TYPE I  
FORD F-450/550-DIESEL-193" W.B.

DESCRIPTION: CURB SIDE EXTERIOR

|                            |                             |                    |
|----------------------------|-----------------------------|--------------------|
| DRAWN BY:<br>I.STANSBURY   | DATE CREATED:<br>6/1/2023   | SCALE:<br>5/16"=1' |
| REVISED BY:<br>I.STANSBURY | DATE REVISED:<br>10/17/2023 | REVISION:<br>A     |

Note: Drawings are for reference only, measurements may vary from actual product.

**MEDIX**  
SPECIALTY VEHICLES, INC.

3008 MOBILE DRIVE  
ELKHART, IN 46514  
PH: 574-266-0911  
FAX: 574-266-6669

"LET US SHOW YOU THE MEDIX DIFFERENCE"  
WWW.MEDIXAMBULANCE.COM

Dealer: MEDIX

Approved By:

Date:

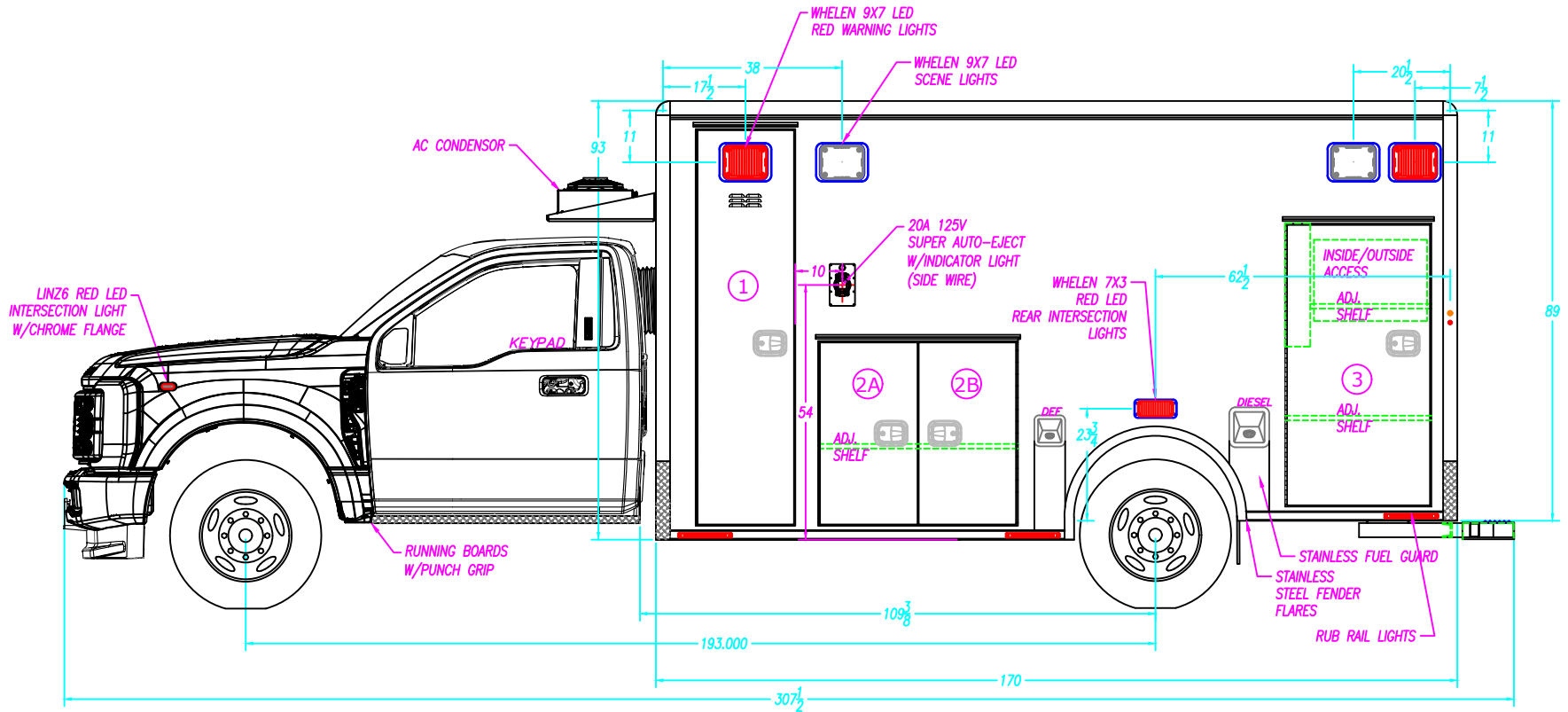
Customer:

DEMO

23-M1313-14

Sheet  
**B**

ALL WARNING, SCENE, AND TAIL LIGHTS TO HAVE CHROME BEZELS.  
ALL COMPARTMENT/ENTRY DOORS TO HAVE POWER LOCKS  
WIRE TO OEM



**COMPARTMENT SIZES**

NOTE: THE DIMENSIONS BELOW ARE INSIDE TUB DIMENSIONS

| NO. | COMPARTMENT TYPE         | WIDTH   | HEIGHT  | DEPTH   |
|-----|--------------------------|---------|---------|---------|
| 1   | O2 COMPARTMENT           | 20 1/2" | 83 1/2" | 18 1/2" |
| 2   | MID STORAGE COMPARTMENT  | 41 3/4" | 38 1/2" | 18 1/2" |
| 3   | REAR STORAGE COMPARTMENT | 34"     | 59 1/2" | 19 1/4" |
| --- | ---                      | ---     | ---     | ---     |

**COMPARTMENT & ENTRY DOORS**

| NO. | PART NUMBER | NO. | PARTNUMBER |
|-----|-------------|-----|------------|
| 1   | 78-118069   | 3   | 33-A11397  |
| 2   | 78-113840   |     |            |

**COMPARTMENT TUBS**

| NO. | PART NUMBER | NO. | PARTNUMBER |
|-----|-------------|-----|------------|
| 1   | 77-118126   | -   | ---        |
| 2   | 77-113770   | -   | ---        |
| 3   | 33-105141   | -   | ---        |

**COMPARTMENT / ENTRY DOOR SIZES**

| NO. | COMPARTMENT / ENTRY DOOR TYPE | WIDTH      | HEIGHT   |
|-----|-------------------------------|------------|----------|
| 1   | O2 STORAGE DOOR               | 20 1/2"    | 83 9/16" |
| 2A  | MID STORAGE DOOR-A            | 20 1 1/16" | 38 3/16" |
| 2B  | MID STORAGE DOOR-B            | 20 1 1/16" | 38 3/16" |
| 3   | REAR STORAGE DOOR             | 32 1/2"    | 59 3/16" |

M2 170" TYPE I  
FORD F-450/550-DIESEL-193" W.B.  
DESCRIPTION: STREET SIDE EXTERIOR

|                            |                             |                    |
|----------------------------|-----------------------------|--------------------|
| DRAWN BY:<br>I.STANSBURY   | DATE CREATED:<br>6/1/2023   | SCALE:<br>5/16"=1' |
| REVISED BY:<br>I.STANSBURY | DATE REVISED:<br>10/17/2023 | REVISION:<br>A     |

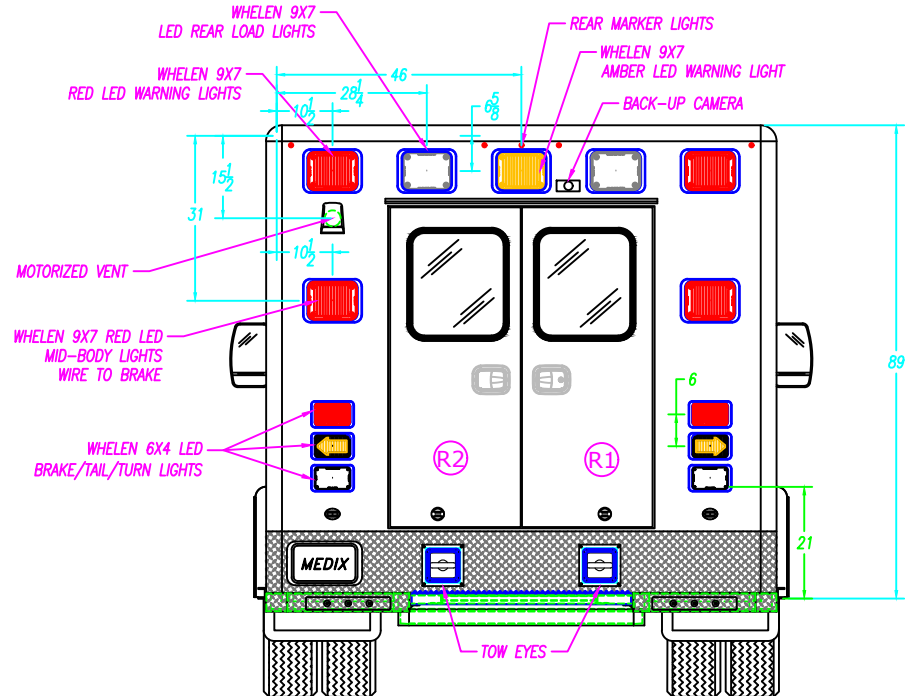
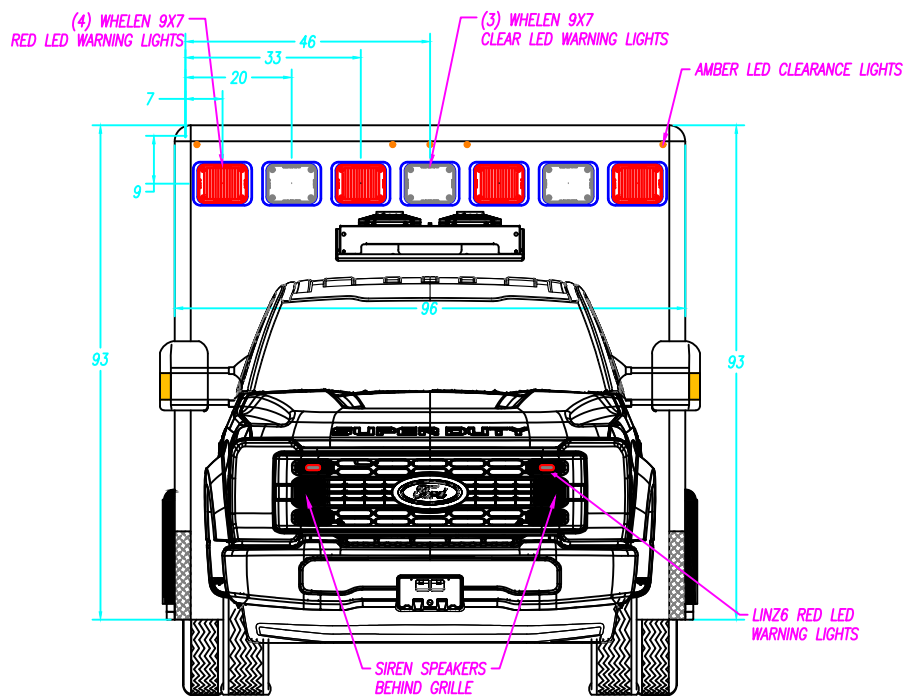
Note: Drawings are for reference only, measurements may vary from actual product.

**MEDIX**  
SPECIALTY VEHICLES, INC.

3008 MOBILE DRIVE  
ELKHART, IN 46514  
PH: 574-266-0911  
FAX: 574-266-6669

"LET US SHOW YOU THE MEDIX DIFFERENCE"  
WWW.MEDIXAMBULANCE.COM

ALL WARNING, SCENE, AND TAIL LIGHTS TO HAVE CHROME BEZELS.  
ALL COMPARTMENT/ENTRY DOORS TO HAVE POWER LOCKS  
WIRE TO OEM



REAR ENTRY DOOR SIZES

| NO. | WIDTH | HEIGHT  | PART NUMBER |
|-----|-------|---------|-------------|
| RE  | 54"   | 64 1/2" | 78-116135   |

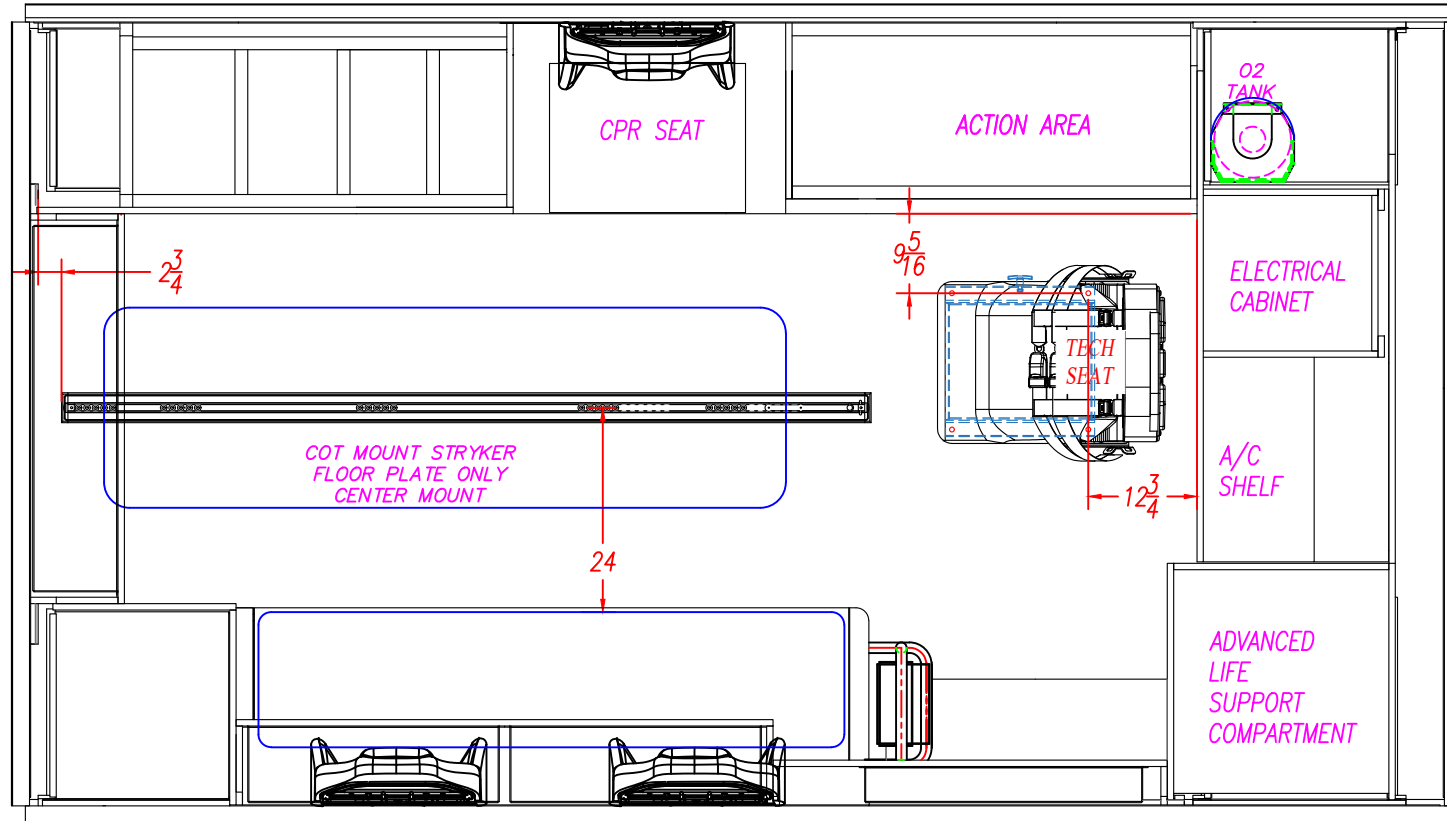
|   |                             |                    |
|---|-----------------------------|--------------------|
| M2 170" TYPE I<br>FORD F-450/550-DIESEL-193" W.B.                                 |                             |                    |
| DESCRIPTION: FRONT & REAR EXTERIOR  |                             |                    |
| DRAWN BY:<br>I.STANSBURY  | DATE CREATED:<br>6/1/2023   | SCALE:<br>5/16"=1' |
| REVISED BY:<br>I.STANSBURY  | DATE REVISED:<br>10/17/2023 | REVISION:<br>A     |
| Note: Drawings are for reference only, measurements may vary from actual product. |                             |                    |



**MEDIX**  
SPECIALTY VEHICLES, INC.

3008 MOBILE DRIVE  
ELKHART, IN 46514  
PH: 574-266-0911  
FAX: 574-266-6669

"LET US SHOW YOU THE MEDIX DIFFERENCE"  
WWW.MEDIXAMBULANCE.COM



M2 170" TYPE I  
 FORD F-450/550-DIESEL-193" W.B.

DESCRIPTION: PATIENT AREA PLAN

|                            |                             |                   |
|----------------------------|-----------------------------|-------------------|
| DRAWN BY:<br>I.STANSBURY   | DATE CREATED:<br>6/1/2023   | SCALE:<br>1/2"=1' |
| REVISED BY:<br>I.STANSBURY | DATE REVISED:<br>10/17/2023 | REVISION:<br>A    |

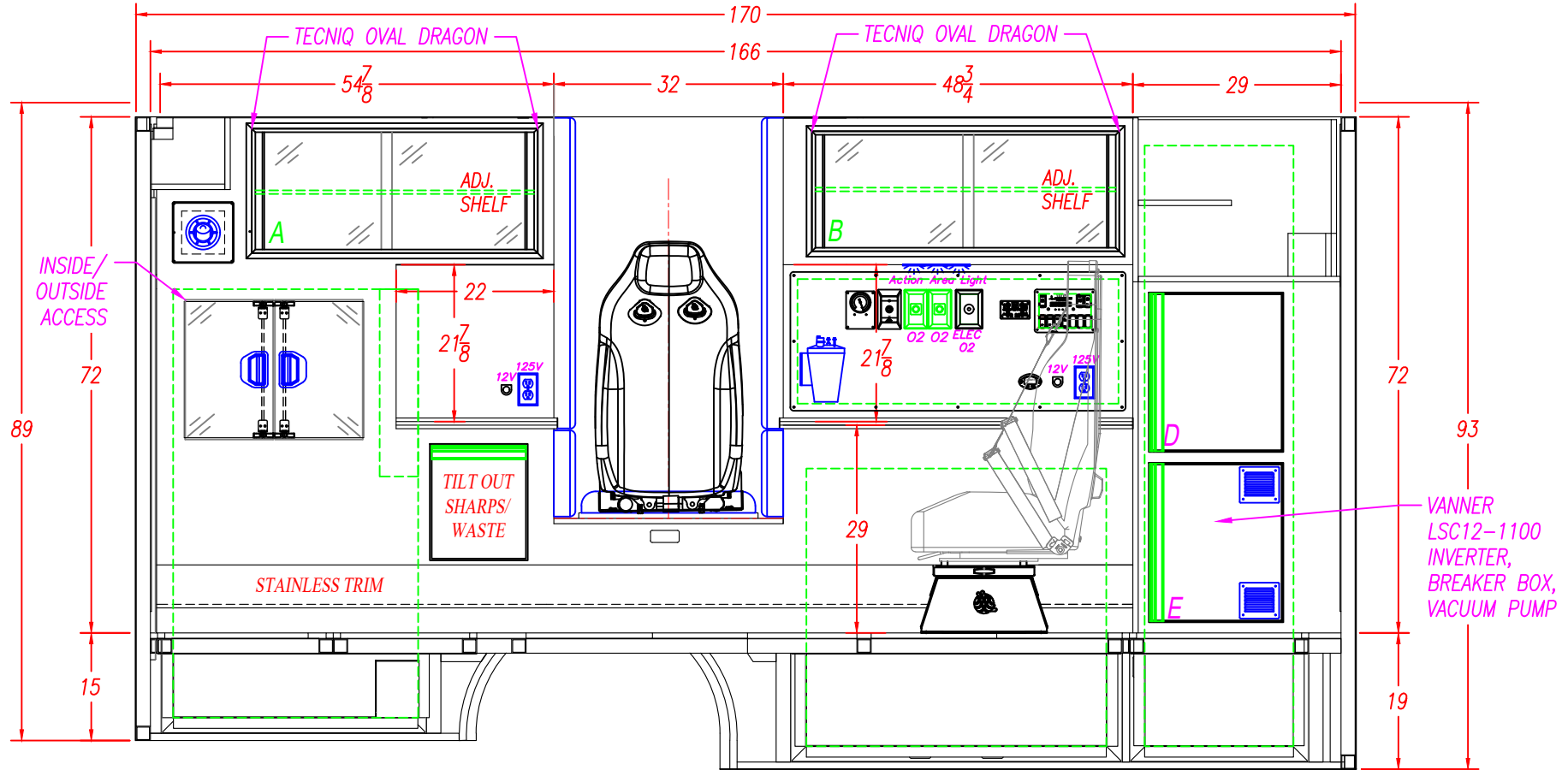
Note: Drawings are for reference only, measurements may vary from actual product.



3008 MOBILE DRIVE  
 ELKHART, IN 46514  
 PH: 574-266-0911  
 FAX: 574-266-6669

"LET US SHOW YOU THE MEDIX DIFFERENCE"  
 WWW.MEDIXAMBULANCE.COM

CORIAN COUNTERTOPS IN 1ST & 2ND ACTION AREA.



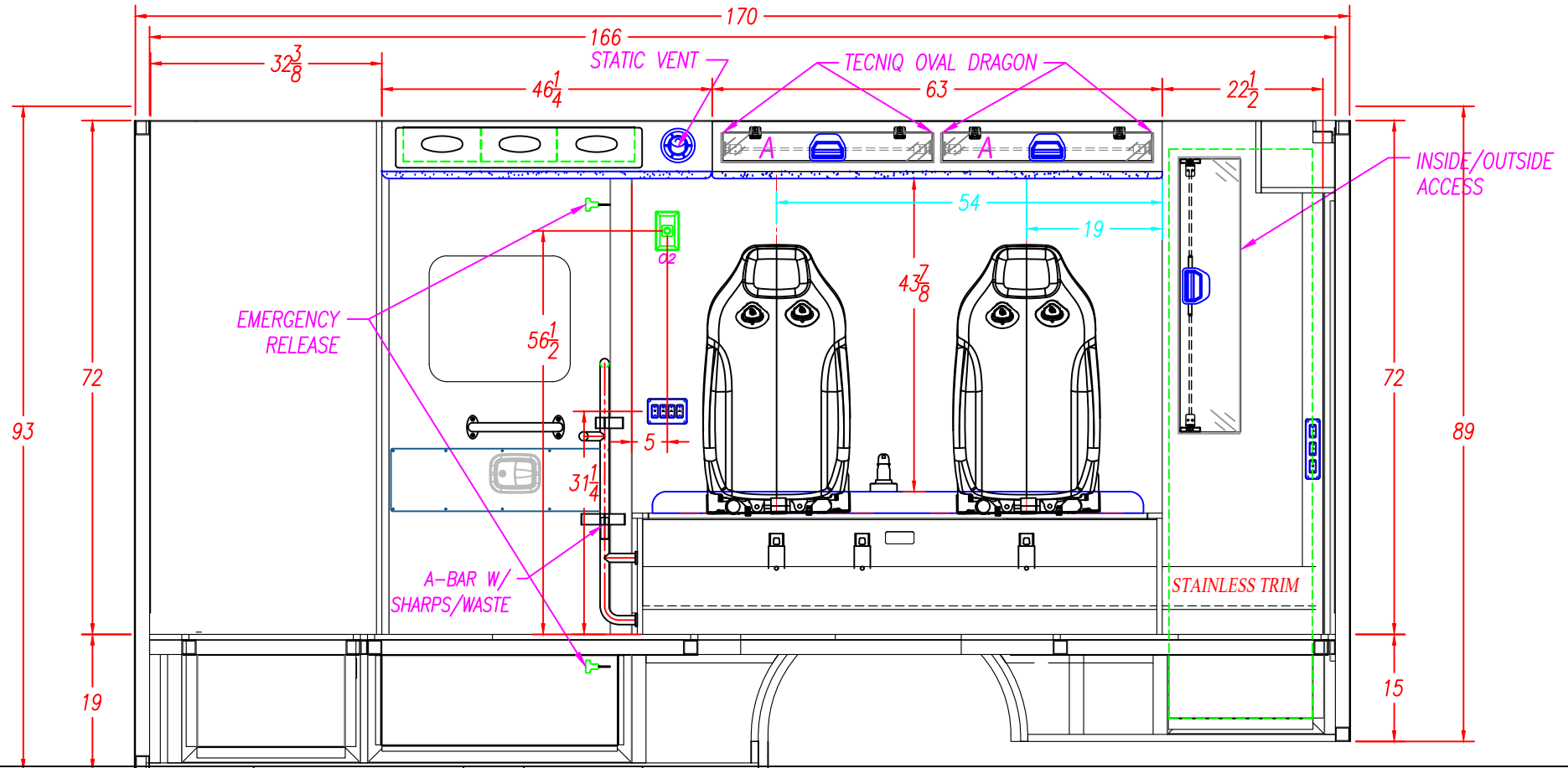
INTERIOR CABINET STORAGE

| ITEM | HEIGHT  | WIDTH   | DEPTH   | PART #'S  |
|------|---------|---------|---------|-----------|
| A    | 16 5/8" | 38 3/4" | 18"     | 43-A10697 |
| B    | 15 1/8" | 44 1/8" | 16"     | 43-A10698 |
| C    | -       | -       | -       | -         |
| D    | 22 1/4" | 19 1/2" | 17 1/4" | -         |
| E    | 22 1/4" | 19 1/2" | 17 1/4" | -         |
| F    | -       | -       | -       | -         |

|   |                             |                   |
|---|-----------------------------|-------------------|
| M2 170" TYPE I<br>FORD F-450/550-DIESEL-193" W.B.                                 |                             |                   |
| DESCRIPTION:<br>STREET SIDE INTERIOR  |                             |                   |
| DRAWN BY:<br>I.STANSBURY  | DATE CREATED:<br>6/1/2023   | SCALE:<br>1/2"=1' |
| REVISED BY:<br>I.STANSBURY  | DATE REVISED:<br>10/17/2023 | REVISION:<br>A    |
| Note: Drawings are for reference only, measurements may vary from actual product. |                             |                   |

**MEDIX** 3008 MOBILE DRIVE  
ELKHART, IN 46514  
PH: 574-266-0911  
SPECIALTY VEHICLES, INC. FAX: 574-266-6669

"LET US SHOW YOU THE MEDIX DIFFERENCE"  
WWW.MEDIXAMBULANCE.COM



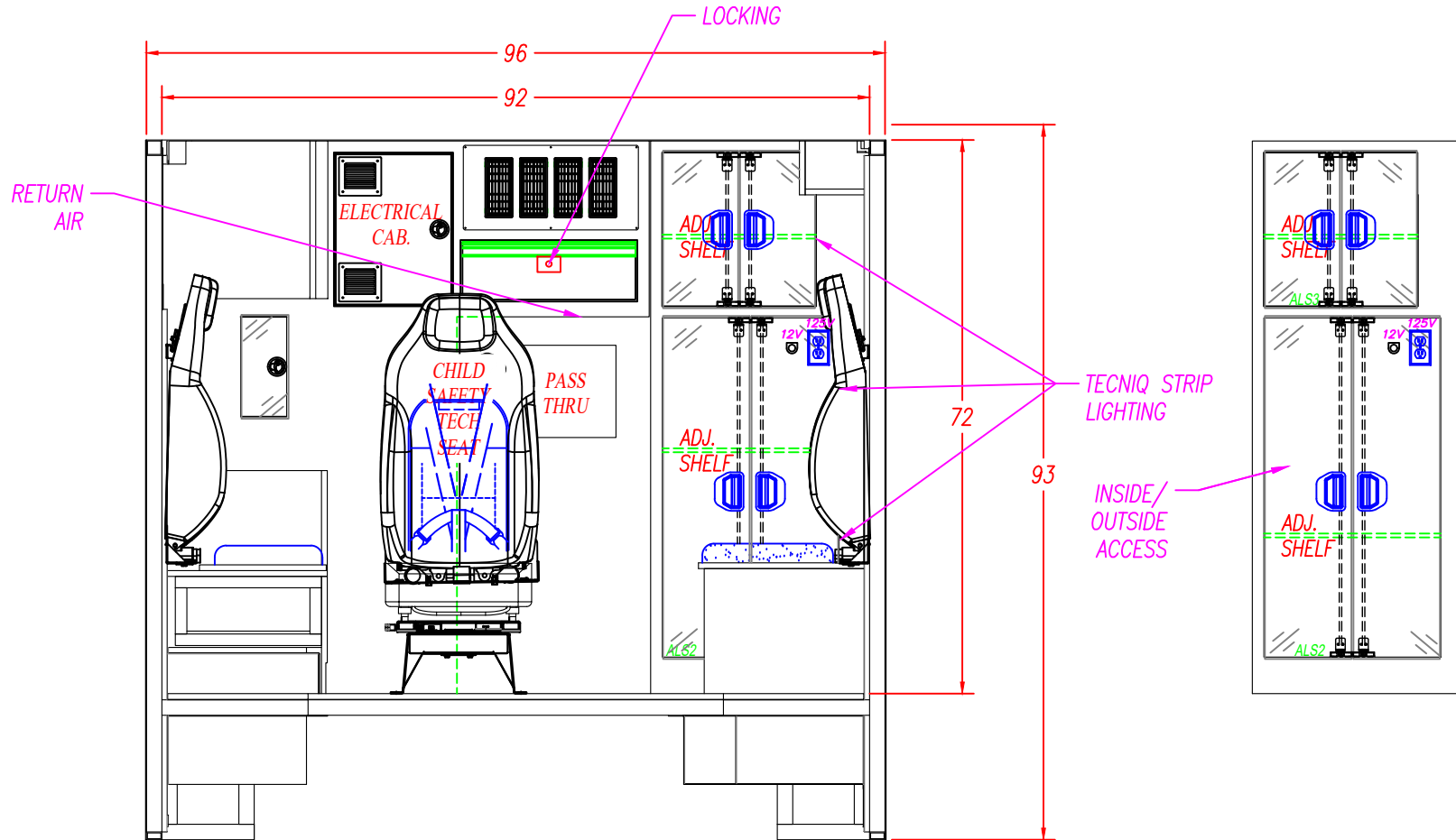
|                                       |  |   |               |  |   |  |     |     |     |
|---------------------------------------|--|---|---------------|--|---|--|-----|-----|-----|
| <b>4" SEATBELT<br/>PLATE LOCATION</b> | <b>WELD SHOP</b>   | 33  | <b>INCHES</b> | NOTE: THIS DIMENSION IS FROM THE BOTTOM OF THE WALL TO THE BOTTOM OF THE 4" PLATE. |   |  |     |     |     |
|                                       | <b>CABINET SHOP</b>  | NOTE: READ THE DIMENSIONS FROM RIGHT TO LEFT AS VIEWED  |               |  | NOTE: THE HOLES FOR THE TOP SEATBELT BOLTS ARE 1 1/4" FROM THE TOP OF THE SQUAD BENCH TO THE CENTER OF THE SEATBELT BOLT.<br>NOTE: THE HOLES FOR THE BOTTOM SEATBELT BOLTS ON THE SQUAD BENCH ARE 9 3/8" FROM THE TOP OF THE FLOOR TO THE CENTER OF THE BOLT. |  |     |     |     |
|                                       |  | THE LOCATION OF THE BOTTOM SEATBELT HOLES ARE FROM THE REAR OF THE SQUAD BENCH TO THE CENTER OF THE 1/2" HOLE |               |  | <b>BOTTOM</b>   |  |     | 54" | 42" |
|                                       | THE LOCATION OF THE TOP SEATBELT HOLES ARE FROM THE REAR WALL TO THE CENTER OF THE 1/2" HOLE |   |               | <b>TOP</b>   |   |  | 54" | 39" | 19" |

| INTERIOR CABINET STORAGE |        |         |       |              |
|--------------------------|--------|---------|-------|--------------|
| ITEM                     | HEIGHT | WIDTH   | DEPTH | SPECIAL NOTE |
| A                        | 4"     | 26 1/4" | 7"    |              |
| B                        |        |         |       |              |
| C                        |        |         |       |              |
| D                        |        |         |       |              |
| E                        |        |         |       |              |
| F                        |        |         |       |              |

|   |                             |                   |
|---|-----------------------------|-------------------|
| M2 170" TYPE I<br>FORD F-450/550-DIESEL-193" W.B.                                 |                             |                   |
| DESCRIPTION: CURB SIDE INTERIOR   |                             |                   |
| DRAWN BY:<br>I. STANSBURY   | DATE CREATED:<br>6/1/2023   | SCALE:<br>1/2"=1' |
| REVISED BY:<br>I. STANSBURY   | DATE REVISED:<br>10/17/2023 | REVISION:<br>A    |
| Note: Drawings are for reference only, measurements may vary from actual product. |                             |                   |

3008 MOBILE DRIVE  
ELKHART, IN 46514  
PH: 574-266-0911  
FAX: 574-266-6669


**"LET US SHOW YOU THE MEDIX DIFFERENCE"**  
WWW.MEDIXAMBULANCE.COM



INTERIOR CABINET STORAGE

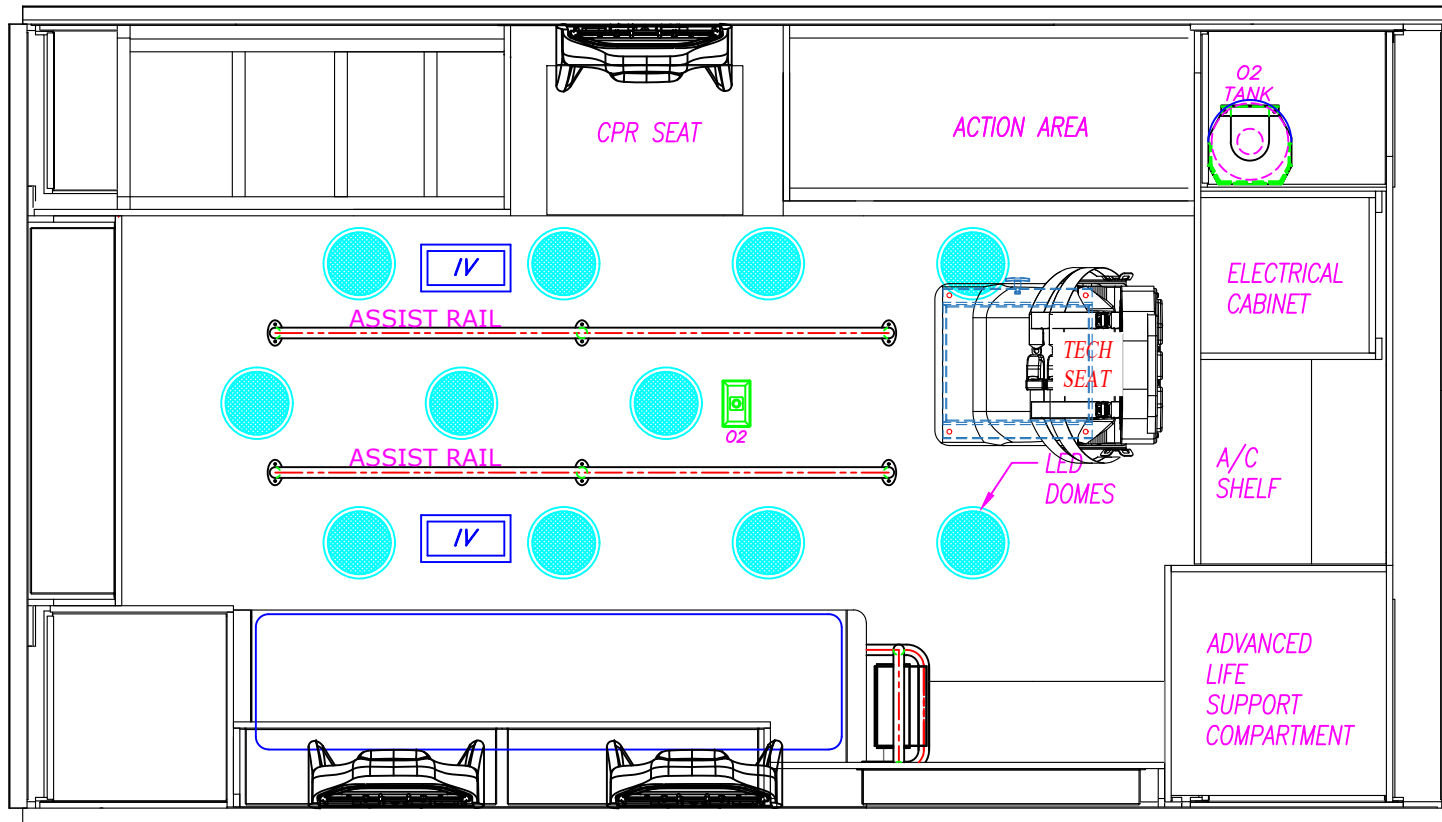
| ITEM | HEIGHT  | WIDTH | DEPTH   | SPECIAL NOTE |
|------|---------|-------|---------|--------------|
| ALS1 | 44 1/4" | 23"   | 25 1/4" |              |
|      |         |       |         |              |
|      |         |       |         |              |
|      |         |       |         |              |
|      |         |       |         |              |

|   |                             |                   |
|---|-----------------------------|-------------------|
| M2 170" TYPE I<br>FORD F-450/550-DIESEL-193" W.B.                                 |                             |                   |
| DESCRIPTION: FRONT ELEVATION  |                             |                   |
| DRAWN BY:<br>I.STANSBURY  | DATE CREATED:<br>6/1/2023   | SCALE:<br>1/2"=1' |
| REVISED BY:<br>I.STANSBURY  | DATE REVISED:<br>10/17/2023 | REVISION:<br>A    |
| Note: Drawings are for reference only, measurements may vary from actual product. |                             |                   |


**MEDIX**  
 SPECIALTY VEHICLES, INC.

3008 MOBILE DRIVE  
 ELKHART, IN 46514  
 PH: 574-266-0911  
 FAX: 574-266-6669

"LET US SHOW YOU THE MEDIX DIFFERENCE"  
 WWW.MEDIXAMBULANCE.COM



M2 170" TYPE I  
FORD F-450/550-DIESEL-193" W.B.

DESCRIPTION: CEILING LAYOUT

|                            |                             |                   |
|----------------------------|-----------------------------|-------------------|
| DRAWN BY:<br>I.STANSBURY   | DATE CREATED:<br>6/1/2023   | SCALE:<br>1/2"=1' |
| REVISED BY:<br>I.STANSBURY | DATE REVISED:<br>10/17/2023 | REVISION:<br>A    |

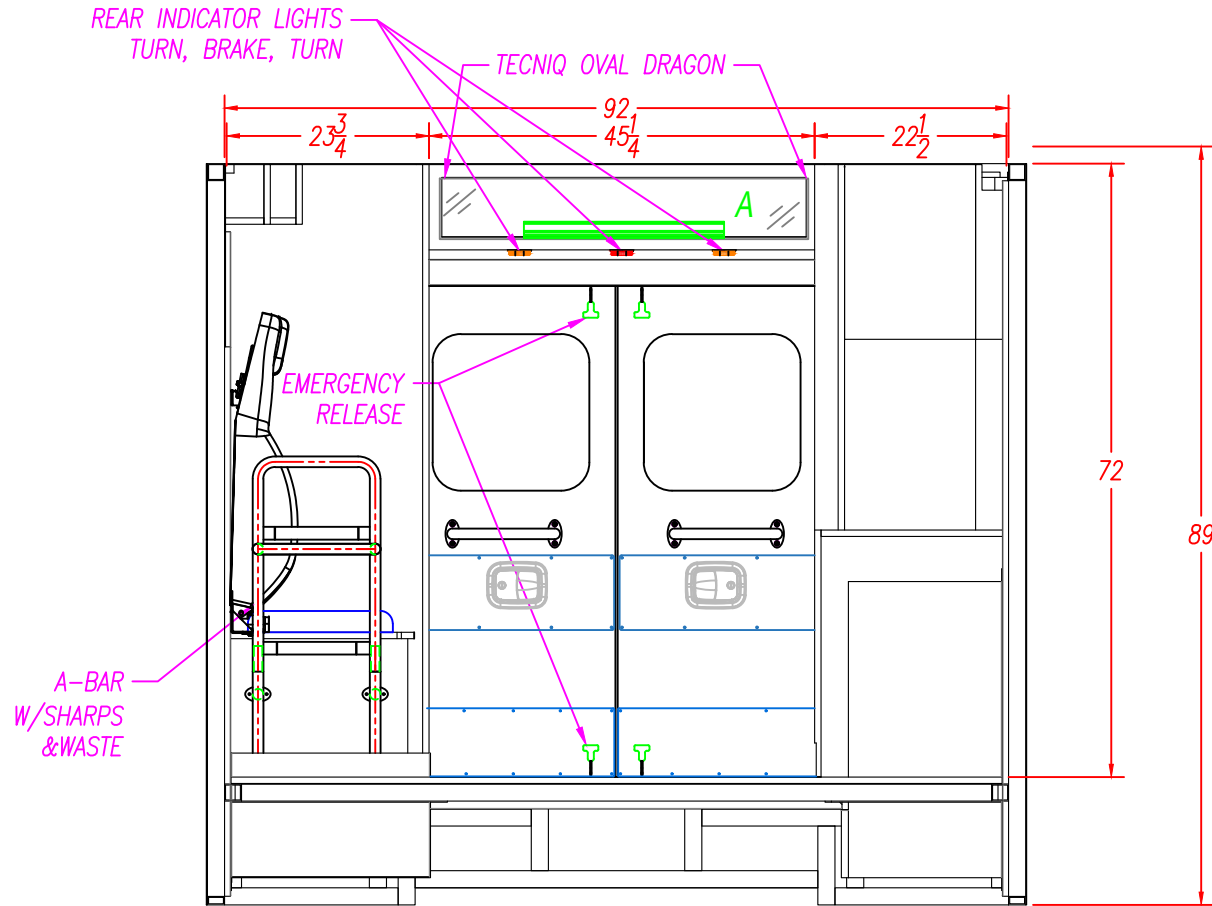
Note: Drawings are for reference only, measurements may vary from actual product.



3008 MOBILE DRIVE  
ELKHART, IN 46514  
PH: 574-266-0911  
FAX: 574-266-6669

"LET US SHOW YOU THE MEDIX DIFFERENCE"  
WWW.MEDIXAMBULANCE.COM





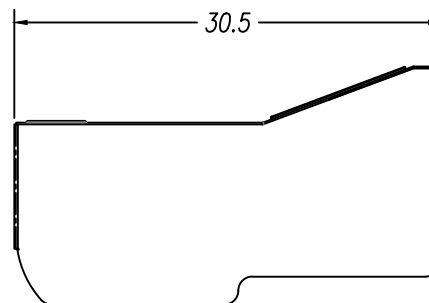
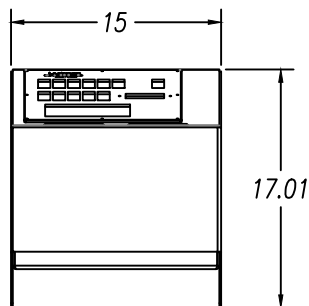
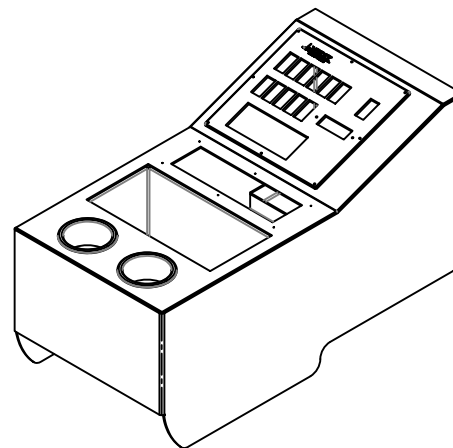
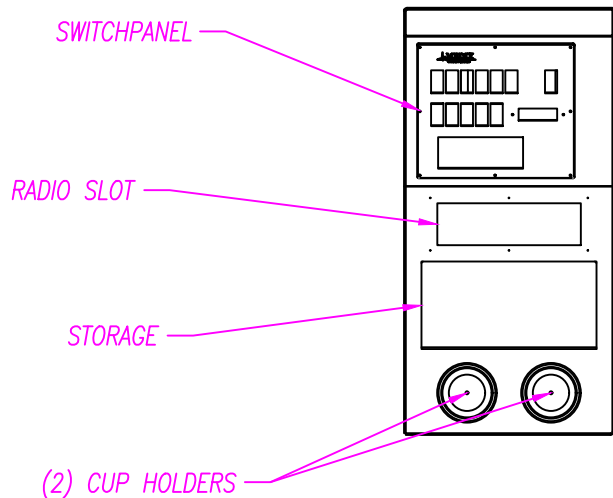
INTERIOR CABINET STORAGE

| ITEM | HEIGHT | WIDTH   | DEPTH | SPECIAL NOTE |
|------|--------|---------|-------|--------------|
| A    | 7"     | 44 1/4" | 9"    |              |
| B    |        |         |       |              |
| C    |        |         |       |              |
| D    |        |         |       |              |
| E    |        |         |       |              |
| F    |        |         |       |              |

|   |                             |                   |
|---|-----------------------------|-------------------|
| M2 170" TYPE I<br>FORD F-450/550-DIESEL-193" W.B.                                 |                             |                   |
| DESCRIPTION: REAR ELEVATION   |                             |                   |
| DRAWN BY:<br>I.STANSBURY  | DATE CREATED:<br>6/1/2023   | SCALE:<br>1/2"=1' |
| REVISED BY:<br>I.STANSBURY  | DATE REVISED:<br>10/17/2023 | REVISION:<br>A    |
| Note: Drawings are for reference only, measurements may vary from actual product. |                             |                   |

3008 MOBILE DRIVE  
ELKHART, IN 46514  
PH: 574-266-0911  
FAX: 574-266-6669

**"LET US SHOW YOU THE MEDIX DIFFERENCE"**  
[WWW.MEDIXAMBULANCE.COM](http://WWW.MEDIXAMBULANCE.COM)



|   |                             |                   |
|---|-----------------------------|-------------------|
| M2 170" TYPE I<br>FORD F-450/550-DIESEL-193" W.B.                                 |                             |                   |
| DESCRIPTION: FRONT CONSOLE  |                             |                   |
| DRAWN BY:<br>I.STANSBURY  | DATE CREATED:<br>6/1/2023   | SCALE:<br>1/2"=1' |
| REVISED BY:<br>I.STANSBURY  | DATE REVISED:<br>10/17/2023 | REVISION:<br>A    |
| Note: Drawings are for reference only, measurements may vary from actual product. |                             |                   |



**MEDIX**  
SPECIALTY VEHICLES, INC.

3008 MOBILE DRIVE  
ELKHART, IN 46514  
PH: 574-266-0911  
FAX: 574-266-6669

"LET US SHOW YOU THE MEDIX DIFFERENCE"  
WWW.MEDIXAMBULANCE.COM